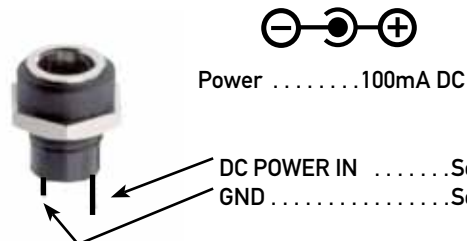
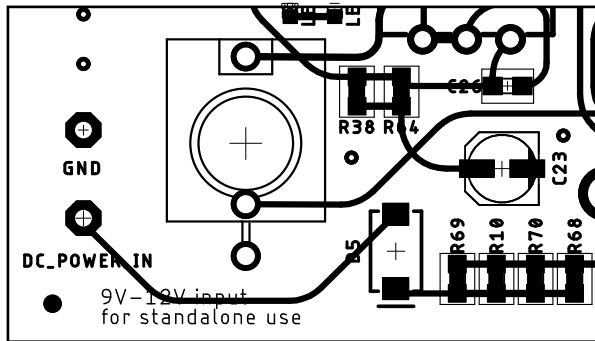
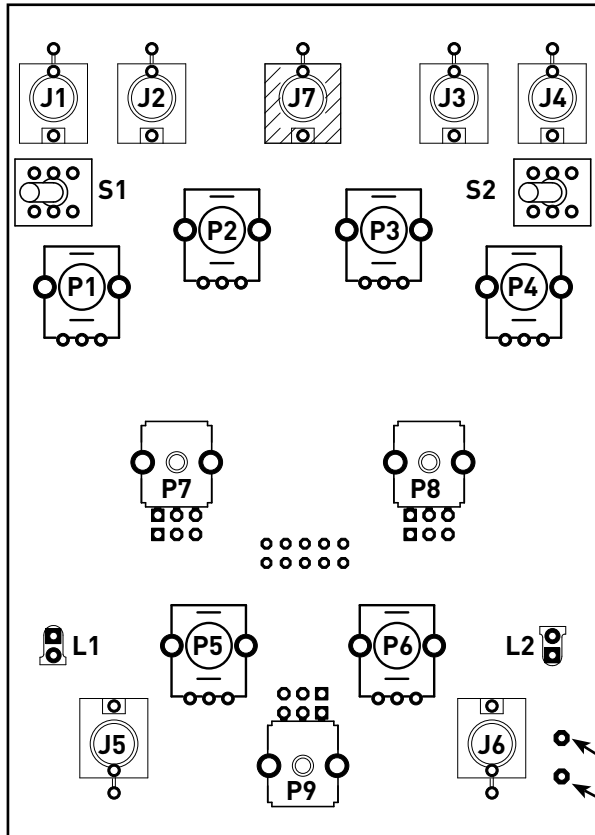


Ar Merch'et Brao Stereo Overdrive Filter



Souder de l'autre coté des composants smd
Solder on the other side of the smd components

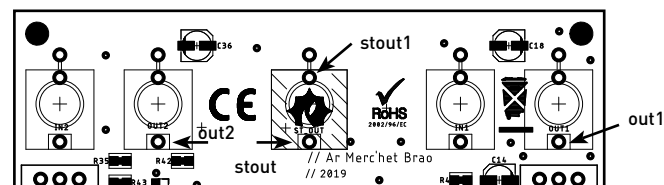
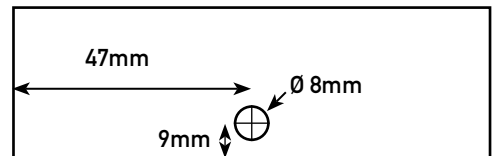
- J1 Black Jack
- J2 Black Jack
- J3 Black Jack
- J4 Black Jack
- J5 Black Jack
- J6 Black Jack

- J7 Green Jack

- P1 100kB Lin Pot
- P2 100kB Lin Pot
- P3 100kB Lin Pot
- P4 100kB Lin Pot
- P5 100kA Log Pot
- P6 100kA Log Pot
- P7 100kB Dual Lin Pot
- P8 100kB Dual Lin Pot
- P9 100kB Dual Lin Pot7

GND Solder le fil noir, **Solder the Black Wire**
DC POWER IN Solder le fil Rouge, **Solder the Red Wire**

L1, L2 LED3MM
Positionner les LEDs sans les souder..
(la patte la plus longue = trou carré)
Visser les éléments sur le panel, puis les souder
Put the Leds in place without soldering them,
(longest pin = square hole)
Screw the panel then solder them.



wires Solder les fils Rouges, **Solder the Red Wires**
..... out2 ----> stout
..... out1 ----> stout1